

**SINGER**  
**47W69**

# LIST OF PARTS



## MACHINE No. 47w69

THE SINGER MANUFACTURING COMPANY

## INDEX

	Page
Accessories .....	14
Bobbin Winder .....	14
Knee Lifter .....	15
Machine No.47w69 .....	5
Numerical List of Parts .....	17
Reversing and Starting Treadle .....	16
Work Plate .....	16

From the library of: Diamond Needle Corp

# INSTRUCTIONS FOR ORDERING

In ordering from this list, use ONLY the PART number in the FIRST column.

The number stamped on a Sewing Machine Part is the number of the Single Part only, except when the part includes Set Screws, Clamping Screws, Studs and Rollers Spun on, Small Wires riveted, or Parts soldered together, etc., which it is necessary to furnish in combination.

Every combination of parts sent out has its specific number which, although not stamped on Parts (except in above case), must be used when ordering the combination.

Each number always indicates the SAME PART in whatever list it appears, or for whatever Machine.

The letters after some of the numbers indicate the style of finish only, as follows:

- A. Hardened, Polished, Nickel Plated and Buffed.
- B. Polished, Nickel Plated and Buffed.
- C. Hardened only.
- D. Polished only.
- E. Soft, not polished.
- F. Hardened and Polished.
- H. Blued.
- J. Nickel Plated only.
- R. Merlized.
- X. Black Oxide.
- XC. Hardened and Black Oxide.
- Y. Blade Nickel only.

These letters MUST BE USED when they appear in the list and AFTER the number, as in the list.

### In this series

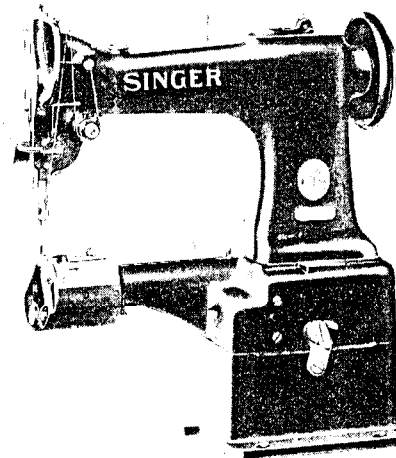
200001 to 201500 and 350001 to 351500 are Screw Numbers.  
201501 to 201800 and 351501 to 351800 are Nut Numbers.  
201801 to 202000 and 351801 to 352000 are Roller Numbers.  
202001 to 350000 are Numbers of Machine Parts.

The figures in the second column refer only to the plate in which the illustration of the part is shown and are NOT TO BE USED in ordering.

Two or more numbers over a cut indicate that the difference between such parts is not visible in an illustration.

Parts marked with an asterisk (\*) are furnished only when repairs are made at the factory.

## LIST OF PARTS COMPLETE FOR



From the library of: Diamond Needle Corp

## MACHINE No. 47w69

FOR STITCHING GUSSETS IN POCKETBOOKS,  
BRIEF CASES, ETC.

No.	Plate	Name
*233531	-----	Arm with 202135
233761	17001	" Cap with 244071
244071	17001	" " Oil Wick
200278H	17001	" " Screw
202248	17001	" " " Washer
203099	17001	" " Spool Holder Base
203090	17001	" " " " " 203089 with 200079H and 204296
200585H	17001	Arm Cap Spool Holder Base Screw

No.	Plate	Name
204296	17001	Arm Cap Spool Holder Wire
200079H	17001	" " " " " Hinge Screw
233762	17001	Arm Cap and Spool Holder complete, Nos. 203090, 233761 and two 200585H
204235	17002	Arm Position Pin (2)
200010E	17002	" Screw (3)
202005	17002	" " Washer (3)
233691	17001	" Shaft with 200357E and 224392
240802	17001	" " Bushing (back) with 202244
202244	17001	" " " " Oil Packing (wick)
200338C	17001	" " " " Set Screw
207080	17001	" " " (front) with 202244
202244	17001	" " " " Oil Packing (wick)
200502H	17001	" " " " " Thumb Screw
200338C	17001	Arm Shaft Bushing (front) Set Screw
235003	17002	" " Connection Belt
224200	17002	" " " " Pulley with 200327C, 200602E and two 202253
200602E	17002	Arm Shaft Connection Belt Pulley Position Screw
200327C	17002	Arm Shaft Connection Belt Pulley Set Screw
202253	17002	Arm Shaft Connection Belt Pulley Spring Flange
233692	17003	Arm Shaft Connection Belt Timing Plate
200164B	17003	" " " " " " " Screw (2)
224392	17001	Arm Shaft Oil Packing (wick)
200357E	17001	" " " " Stop Screw
235096	17001	Balance Wheel (disc) (belt groove 2-1/2 in. diam.) with 200328C and 200335C
200328C	17001	Balance Wheel Position Screw
200335C	17001	" " Set Screw
*233553	-----	Bed (cylinder) with 201461C and 213380
233554	17009	" " End Cover and Throat Plate Support
200577XC	17009	Bed (cylinder) End Cover and Throat Plate Support Screw (4)
233728	17009	Bed Base (1-5/8 in. high)
203184	17009	" Clamp
200262H	17009	" " Hinge Screw
202622	17009	" " Packing Washer
350352B	17009	" " Thumb Screw
203185	17009	" " Washer
202618	17009	" Hinge
200030H	17009	" " Screw (6)
233555	17009	" Slide Clamp Plate (back)
233556	17009	" " " " (front)
200582H	17009	" " " " Screw (4)
203208	17005	Bobbin

No.	Plate	Name
203210	17005	Bobbin Case Base with 202056, 203211 to 203213 and 203216
203211	17005	Bobbin Case Base Latch
*202056	-----	" " " " Pin
203212	17005	" " " " Plunger
203213	17005	" " " " Spring
203209	17005	" " Cap with 200984C, 203214, 203215 and two 200594C
203214	17005	Bobbin Case Tension Spring
200984C	17005	" " " " Regulating Screw
200594C	17005	" " " " Screw
203215	17005	" " Thread Guide
200594C	17005	" " " " Screw
203216	17005	" " Washer (cloth)
203217	17005	Bobbin Case complete Nos. 203209 and 203210
241753	17633	Face Plate
202135	17633	" " Position Pin
200462B	17633	" " Thumb Screw
233694	17004	Feed Bar with 213610
213298	17004	" " Connecting Link with two 350411C
350411C	17004	Feed Bar Connecting Link Pinch Screw
350403C	17004	" " " " Screw Stud
201531E	17004	" " " " " Nut
213610	17004	" " " " Stud
233557	17004	Feed Dog
350149E	17004	" " Screw, for use with Platform Throat Plates
221163	17004	Feed Dog Stop Washer, for use with Platform Throat Plates
235082	17002	Feed Driving Eccentric Regulating Bracket
233612	17002	Feed Driving Eccentric Regulating Bracket 235082 with 224200, two each 201408C and 201525E
201408C	17002	Feed Driving Eccentric Regulating Bracket Hinge Screw
201525E	17002	Feed Driving Eccentric Regulating Bracket Hinge Screw Nut
202301	17002	Feed Driving Eccentric Regulating Bracket Plunger
202595	17002	Feed Driving Eccentric Regulating Bracket Plunger Spring
200607C	17002	Feed Driving Eccentric Regulating Bracket Plunger Spring Stop Screw
201408C	17002	Feed Driving Eccentric Regulating Bracket Stop Screw
201525E	17002	Feed Driving Eccentric Regulating Bracket Stop Screw Nut

From the library of: Diamond Needle Corp

No.	Plate	Name
200429C	17002	Feed Driving Eccentric Regulating Screw
200383C	17002	" " " " " "
		Check Screw
235011	17004	Feed Driving Rock Shaft
233574	17004	" " " " Bearing
200184B	17004	" " " " " Screw
235066	17004	" " " " Bushing
200346C	17004	" " " " " Set Screw
203244	17004	" " " " Collar with two
		200393C
200393C	17004	Feed Driving Rock Shaft Collar Set Screw
235842	17002	" " " " Connection with
		200054E and 202277
200919C	17002	Feed Driving Rock Shaft Connection Hinge Screw
201522E	17002	Feed Driving Rock Shaft Connection Hinge Screw Nut
202277	17002	Feed Driving Rock Shaft Connection Oil Packing (wick)
200054E	17002	Feed Driving Rock Shaft Connection Pinch Screw
210559	17001	Feed Driving Rock Shaft Connection Stop Collar with two 200378C
200378C	17001	Feed Driving Rock Shaft Connection Stop Collar Set Screw
233535	17004	Feed Driving Rock Shaft Crank with 200038C
200038C	17004	Feed Driving Rock Shaft Crank Pinch Screw
233695	17004	Feed Lifting Cam with 200392C and 200447C
200447C	17004	Feed Lifting Cam Position Screw
233559	17004	" " " Retainer
200583H	17004	" " " " Screw
200392C	17004	" " " Set Screw
233615	17001	" Regulating Spindle with 202311, 202443 and 202619
*202311	-----	Feed Regulating Spindle Head
202443	17001	" " " " Pin
202619	17001	" " " " Position Pin
233536	17004	" Reversing and Rock Shaft Lever Connecting Link
201171C	17004	Feed Reversing and Rock Shaft Lever Connecting Link Hinge Screw
201517C	17004	Feed Reversing and Rock Shaft Lever Connecting Link Hinge Screw Nut
202277	17004	Feed Reversing and Rock Shaft Lever Connecting Link Hinge Screw Oil Packing (wick)
233537	17004	Feed Reversing Lever with 2049 and 204928

No.	Plate	Name
233539	17004	Feed Reversing Lever Bracket
233540	17004	" " " " Position Pin.
		(2)
201395E	17004	Feed Reversing Lever Bracket Screw (2)
2049	17004	" " " Pin
*204928	-----	" " " Shaft
202574	17004	" " " " Collar with
		200380C
200380C	17004	Feed Reversing Lever Shaft Collar Set Screw
233542	17004	Feed Reversing Lever Slide Block
1139C	17004	" " " " " Hinge
		Screw
201723C	17004	Feed Reversing Lever Slide Block Hinge Screw Nut
233543	17004	Feed Reversing Lever Slide Block Spring
233544	17004	" " " " " "
		Hook
233545	17004	Feed Reversing Lever Slide Block Stop Plate (adjustable)
200092F	17004	Feed Reversing Lever Slide Block Stop Plate Screw
200129D	17004	Feed Reversing Lever Slide Block Stop Screw
233546	17004	Feed Reversing Treadle Chain Connecting Link
203061	17633	Foot Lifter Lifting Lever
200262H	17633	" " " " Hinge Screw
233390	17633	" " " " " "
		Washer
233361	17633	Foot Lifter Lifting Lever Position Spring
200273D	17633	Foot Lifter Lifting Lever Position Spring Screw
233560	17009	Guide Base Plate with 201522E and 350353C
200346B	17009	Guide Base Plate Hinge Screw
350353C	17009	" " " Position Screw
201522E	17009	" " " " " Nut
225708	17009	" " " Spring
233570	17009	" (roller) with 201849
201836	17009	" Roller
201849	17009	" " 201836 with 206521
206521	17009	" " Stud
286B	17009	" Thumb Screw
*203463	-----	Hook (sewing)
203464	17005	" 203463 with 201253F, 201376F and 203251
203465	17005	Hook and Bobbin Case complete, Nos. 203217 and 203464

No.	Plate	Name
203549	17005	Hook Bevel Gear Socket, 18 teeth
200556H	17005	" " " " Screw
233698	17003	" " Pinion with two 200386C
200386C	17003	" " " " Set Screw
235015	17003	" Driving Counter Shaft
235016	17003	" " " " Bushing (back)
200346C	17003	" " " " " " Set Screw
235017	17003	Hook Driving Counter Shaft Bushing (front)
200346C	17003	Hook Driving Counter Shaft Bushing (front) Set Screw
235018	17003	Hook Driving Counter Shaft Gear with 200382C and 200398C
200398C	17003	Hook Driving Counter Shaft Gear Position Screw
200382C	17003	Hook Driving Counter Shaft Gear Set Screw
235019	17004	Hook Driving Counter Shaft Oil Tube (brass)
233699	17003	Hook Driving Shaft
235021	17003	" " " Bushing (back)
200346C	17003	" " " " " " Set Screw
213390	17003	" " " " (front)
201461C	17003	" " " " " " Position Screw
203244	17003	Hook Driving Shaft Collar (front) with two 200393C
200393C	17003	Hook Driving Shaft Collar (front) Set Screw
235064	17003	Hook Driving Shaft Connection Belt Pulley with 202253 and two 201254C
201254C	17003	Hook Driving Shaft Connection Belt Pulley Set Screw
202253	17003	Hook Driving Shaft Connection Belt Pulley Spring Flange
235018	17003	Hook Driving Shaft Gear with 200392C and 200398C
200398C	17003	Hook Driving Shaft Gear Position Screw
200382C	17003	" " " " " " Set Screw
203251	17005	" Gib
201376F	17005	" " Hinge Screw
201253F	17005	" " Screw
203552	17005	" Saddle with 202299
202299	17005	" " Oil Packing (wick)
200541E	17005	" " Screw (2)
225837	17005	" " " Washer (2)
203561	17005	Hook Saddle complete, Nos. 200556H, 203465, 203549, 203552 and 203713
203718	17005	Hook Washer

No.	Plate	Name
233625	17007	Needle Bar with 200125F, 200175D and 204250
233626	17007	Needle Bar Bushing
200352C	17007	" " " " Set Screw
202552	17007	" " Connecting Link
264718	17007	" " " " Oil Guard
200161D	17007	" " " " " " Screw
202333	17007	" " " " Stud with 202254
202254	17007	Needle Bar Connecting Link Stud Oil Packing (wick)
200383C	17007	Needle Bar Connecting Link Stud Set Screw
200374C	17007	Needle Bar Connecting Link Stud Set Screw
223688	17007	Needle Bar Connecting Stud with 200072C and 202330
202330	17007	Needle Bar Connecting Stud Oil Packing (wick)
200072C	17007	Needle Bar Connecting Stud Pinch Screw
202692	17007	" " Crank with 200335C, 200374C, 200383C, 200428C and 202333
203172	17007	Needle Bar Crank Friction Washer
200428C	17007	" " " Position Screw
200335C	17007	" " " Set Screw
204250	17007	" " Thread Guide
200175D	17007	" " " " Screw
200125F	17007	" Set Screw
208131	17006	Presser Bar with 200074F
208260	17006	" " Bushing
200363C	17006	" " " Set Screw
208313	17006	" " Lifter
200653C	17006	" " " Hinge Screw
244904	17006	" " Lifting Releasing Lever Bracket
200260D	17006	Presser Bar Lifting Releasing Lever Bracket Guide Screw
206608	17006	Presser Bar Lifting Releasing Lever Bracket Spring
202337	17006	Presser Bar Position Guide
202338	17006	" " " " Lever with 200086F
200086F	17006	Presser Bar Position Guide Lever Pinch Screw
200352C	17006	Presser Bar Position Guide Set Screw
202378	17006	" " Spring
202346	17006	" " " Stop Rod
200432B	17006	" " Thumb Screw (pressure regulating)
200475B	17006	Presser Bar Thumb Screw Thumb Set Screw

No.	Plate	Name
202355	17006	Presser Bar Thumb Screw Thumb Set Screw Packing (brass)
233561	17006	Presser Foot
200074F	17006	" " Screw
224372	17007	Take-up Lever
202399	17007	" " Driving Stud with 202277
202277	17007	" " " " Oil Packing (wick)
202400	17007	Take-up Lever Hinge Stud with 202423
202423	17007	" " " " Oil Packing (wick)
200374C	17007	Take-up Lever Hinge Stud Set Screw
202401	17006	" " Oiling Felt
200132E	17006	" " " " Screw
244048	17008	Tension Disc (back)
244049	17008	" " (front)
202404	17006	" Release Plunger
244061	17008	" " Washer
202407	17008	" Spring
263106	17008	" " Washer
200625F	17008	" Stud with 204925
200061C	17008	" " Set Screw
204925	17008	" " Washer
201572B	17008	" Thumb Nut
244062	17008	Tension complete, Nos. 200625F, 201572B, 202407, 202410, 244048, 244049, 244061 and 263106
202410	17008	Thread Controller Spring
202411	17008	" " " Stop
200132E	17008	" " " " Screw
202412	17001	" Guide
202413	17006	" "
202414	17008	" "
202417	17008	" "
200355H	17008	" " Set Screw
200397H	17008	" " " "
241755	17633	" Lubricator Oil Pad (felt)
241756	17633	" " " " Holder
240439	17633	" " " " Retainer
241758	17633	" " " Reservoir
241759	17633	" " " Wick
350280F	17633	" " Screw
214838	17633	" " " Washer
241760	17633	Thread Lubricator complete, Nos. 214838, 240439, 241755, 241756, 241758, 241759 and 350280F
202091	17008	Thread Retainer Sleeve
202092	17008	" " Spring
204058	17008	" " Stud
200368H	17008	" " " Set Screw

No.	Plate	Name
204059	17008	Thread Retainer complete, Nos. 202091, 202092 and 204058
233563	17004	Throat Plate, 50 needle hole, for needle sizes 14 and 15
200577XC	17004	Throat Plate Screw (2)

## ACCESSORIES

No.	Plate	Name
203208	17005	Bobbin (5)
*225482	-----	" Case Screw Driver Blade
*225483	-----	" " " " Handle
225497	17010	Bobbin Case Screw Driver complete.Nos. 225482 and 225483
204033	17010	Wrench
128 x 4	17007	Needles,six,size 14
227600	17011	Drip Pan (cast iron square) with one wood screw 1-1/2 in.,No.14,R.H.B.
51078	17010	Machine Bolt (4)
6055	17010	" " Washer (4)
41401	17010	" Rest Pin (wood)
120342	17010	Oiler (copper plated) with 120343
120343	17010	" Spout 3-1/2 in.long
*225484	-----	Screw Driver Blade
*225485	-----	" " Handle
225498	17010	Screw Driver complete, (7-1/4 in.long) Nos.225484 and 225485
225554	17010	Wrench (steel)

## BOBBIN WINDER

(SWINGING AUTOMATIC, RIGHT HAND)

228453	17619	Frame with 202277 and 225438
225454	17619	" Hinge Pin
202277	17619	" Oil Packing (wick)
225438	17619	" " Well Cap
225455	17619	" Spring
225456	17619	" " Plunger
202473	17619	Pulley with 200380C
200380C	17619	" Set Screw
225381	17619	Spindle
225444	17619	Stop Latch
200056E	17619	" " Screw
225458	17619	" " Thumb Lever
225459	17619	" " " " Hinge Stud
225459	17619	" " " " Joint Stud
202478	17619	" " Trip Lever
200299H	17619	" " " " Hinge Screw
225461	17619	Tension Bracket with 201499B
200082D	17619	" " Screw
228026	17619	" " Washer
2102	17619	" Disc
202407	17619	" Spring

## ACCESSORIES

No.	Plate	Name
201499B	17619	Tension Stud
201572B	17619	" " Thumb Nut
225462	17619	Bobbin Winder Tension Bracket complete, Nos.201572B,202407,225461 and two 2102
225433	17619	Bobbin Winder and Tension Bracket Base
225382	17619	Universal Bobbin Winder complete, Nos. 200056E,200082D,200299H,202473,202478 225381,225433,225444,225453 to 225456 225458,225462,228026,two each 225459 and wood screws 3/4 in.,No.12,R.H.B.

## KNEE LIFTER

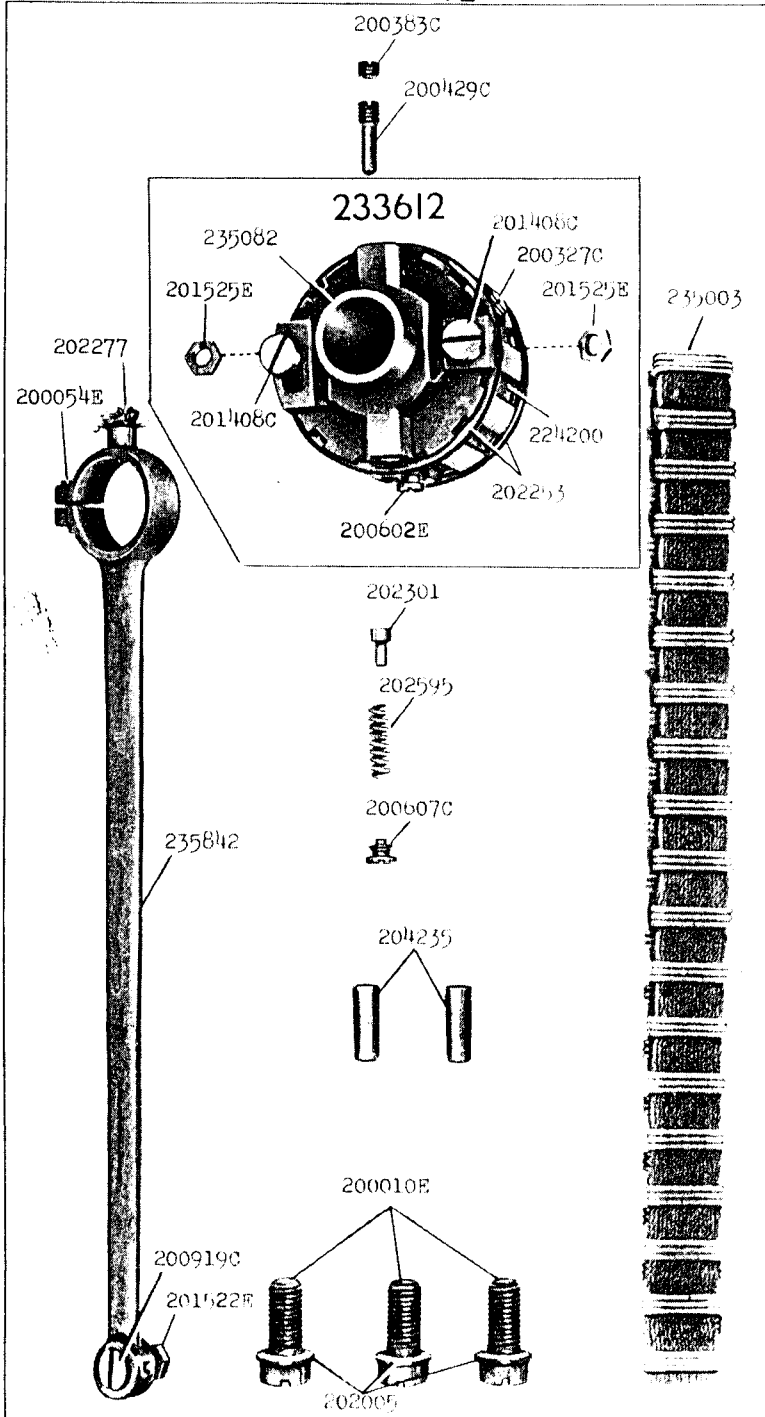
2763	17011	Rock Shaft
12242	17011	" " Hanger (back) with two wood screws 1 in.,No.10
21327	17011	Rock Shaft Hanger (front) with two wood screws 1 in.,No.10
228562	17011	Rock Shaft Knee Arm
228563	17011	Rock Shaft Knee Arm complete,Nos. 1507R, 2766,2767 and 228562
2766	17011	Rock Shaft Knee Arm Hub with 356C
356C	17011	" " " " " Set Screw
1507R	17011	" " " " Lock Nut
2767	17011	" " " " Plate with 356C
228255	17011	" " " " Counterbalance Spring
356C	17011	" " " " Set Screw
6337	17011	" " Lifting Bracket with two 356C
39811	17011	" " " " Extension with 39576
356C	17011	Rock Shaft Lifting Bracket Extension Set Screw
356C	17011	Rock Shaft Lifting Bracket Set Screw
227676	17011	" " " Chain,18 in.long, with 202784
39576	17011	Rock Shaft Lifting Chain Hook (lower)
202784	17011	" " " " " (upper)
2770	17011	" " Stop Dog with 356C
356C	17011	" " " " Set Screw
228251	17011	Knee Lifter Rock Shaft complete, Nos. 2763,6337,12242,21327,39811,227676, 228255,228563,Form A1079 and two 2770

(Other Knee Lifter parts are listed with parts  
of machine head)

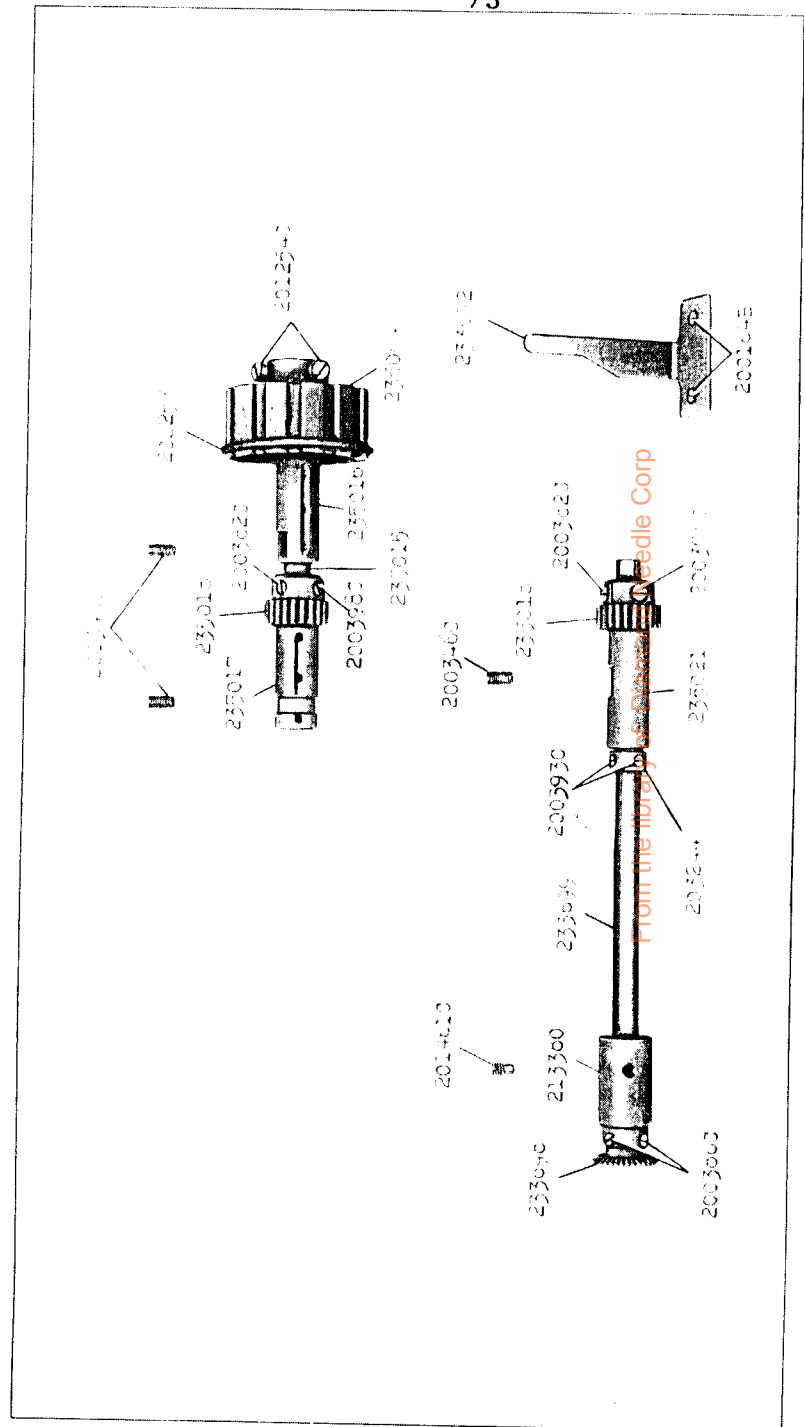


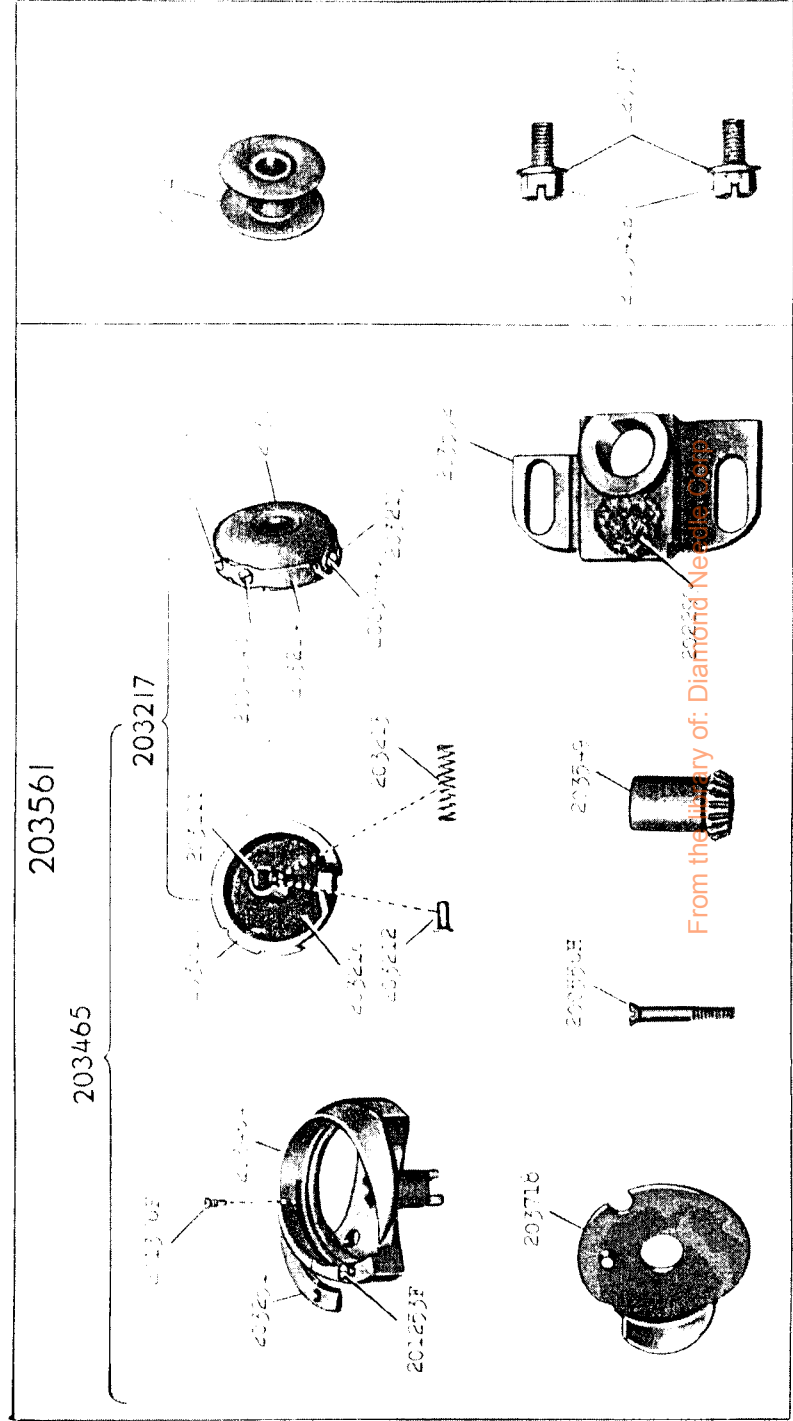
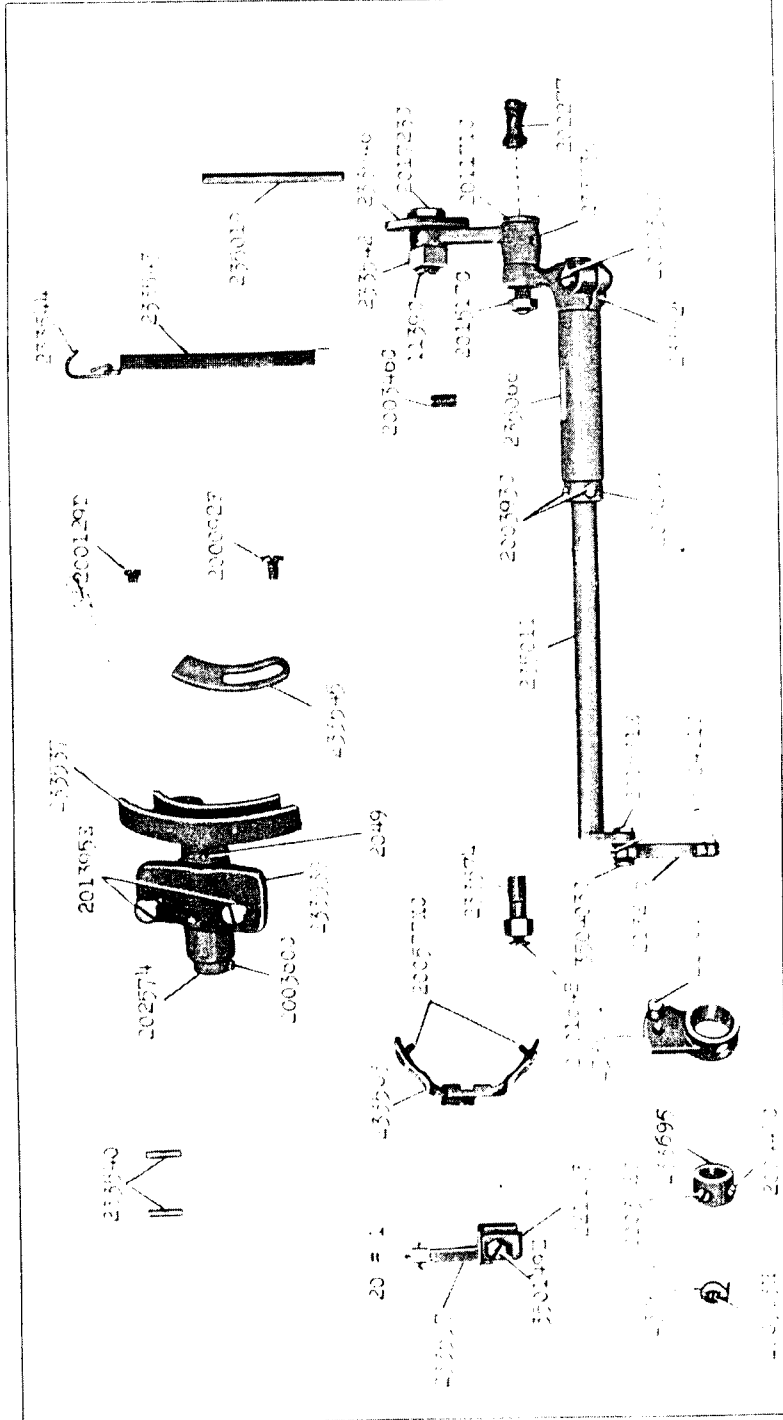


17002 - 1/2

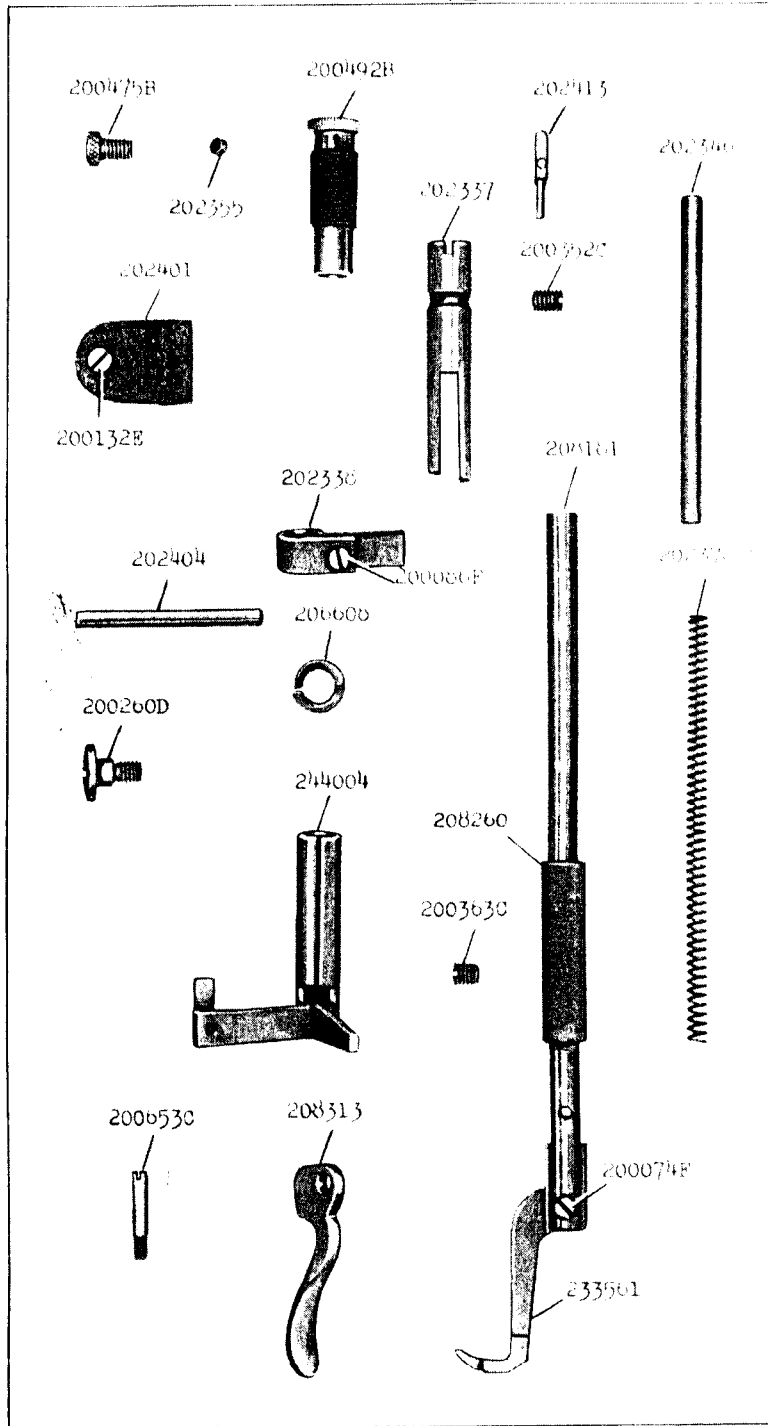


17003 - 1/3

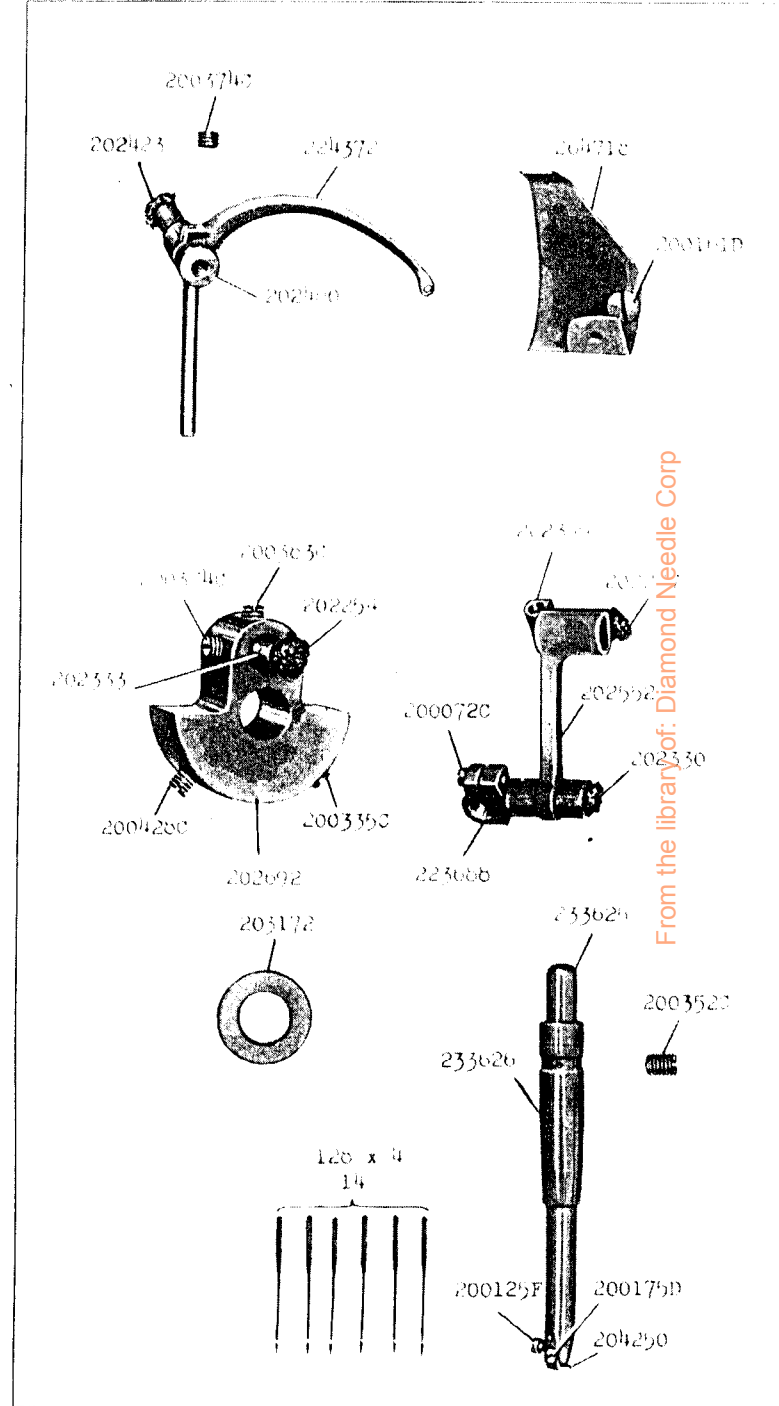




17006 - 1/2



17007 - 1/2

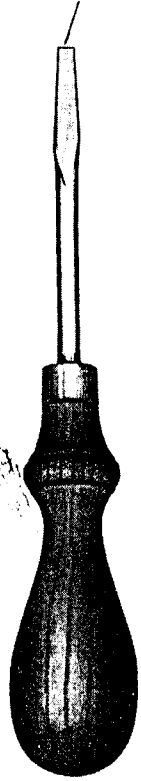


From the library of: Diamond Needle Corp

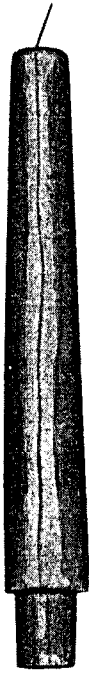


17010 - 1/2

225498



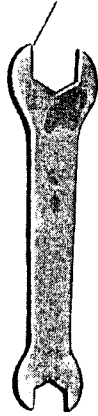
41401



225497



225554

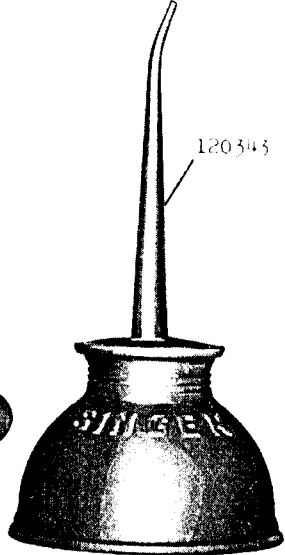


204053

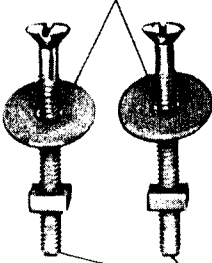


120342

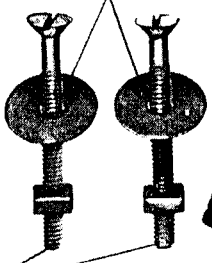
120343



6055



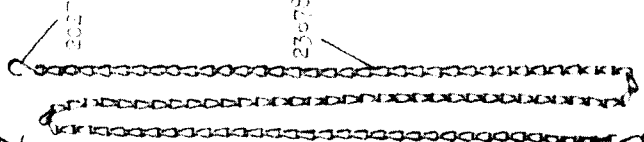
6055



51078

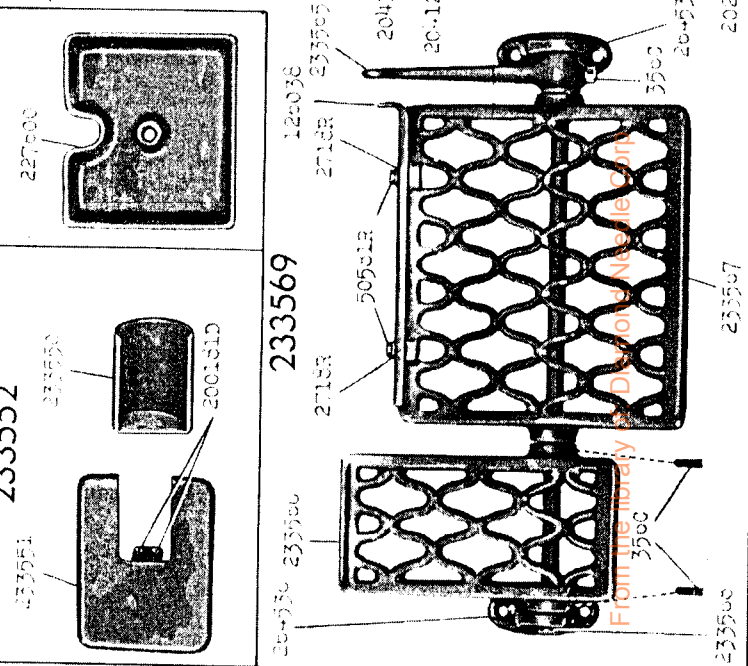
17011 - 1/6

202754

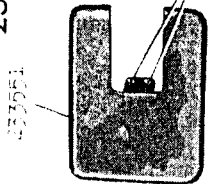


230757

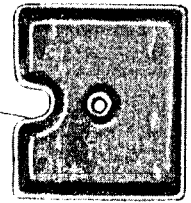
202469



233552



227500



233569

233560

120038

2712R

2712R

2712R

233560

233505

305012

3500

3500

204125

204126

204530

202460

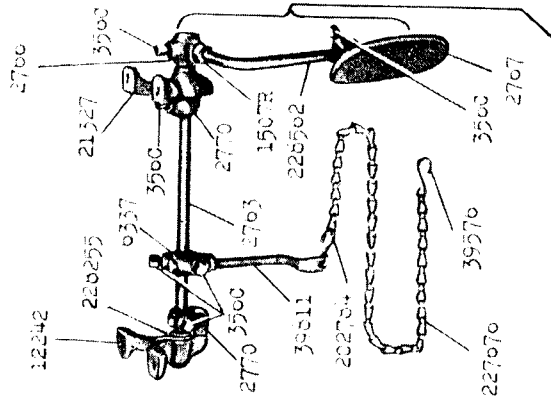
2009300

202754

233507

233500

228251



12242

2700

21327

3500

2770

3500

1507R

228502

2707

2703

39011

2770

3500

202764

39011

202764

227070

39570

3500

2707

2707

228563

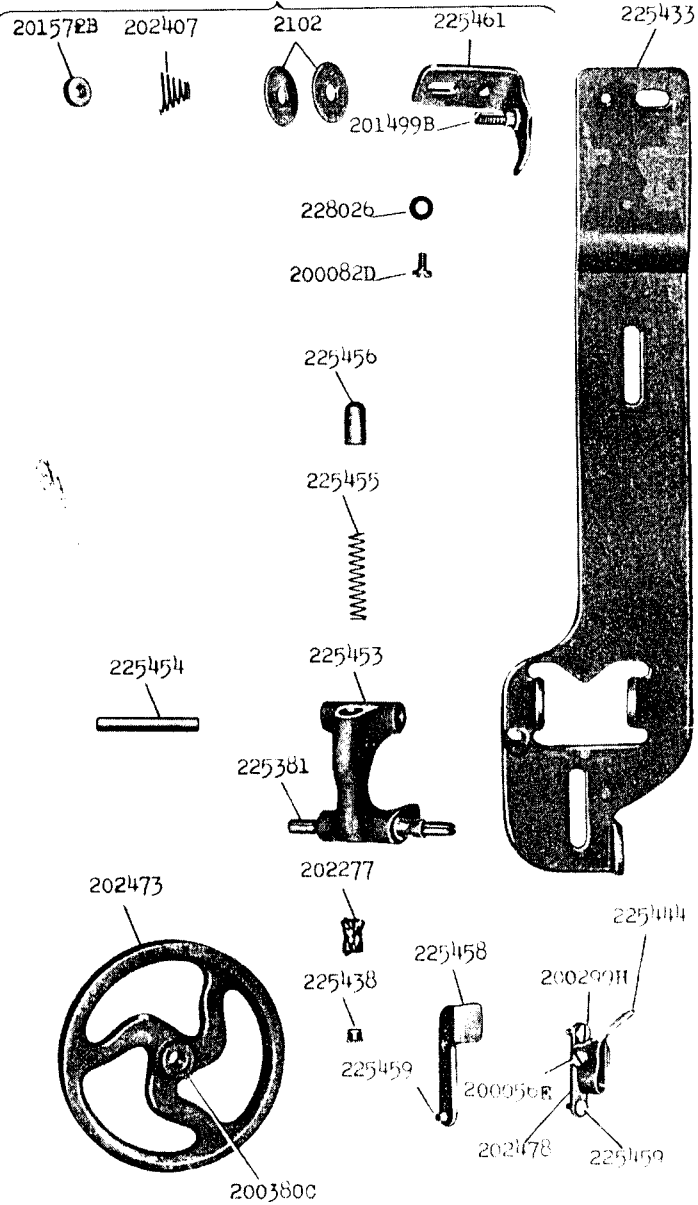
From the Library of the National Archives and Records Administration



17619 - 1/3

225382

225462



17633 - 1/2

